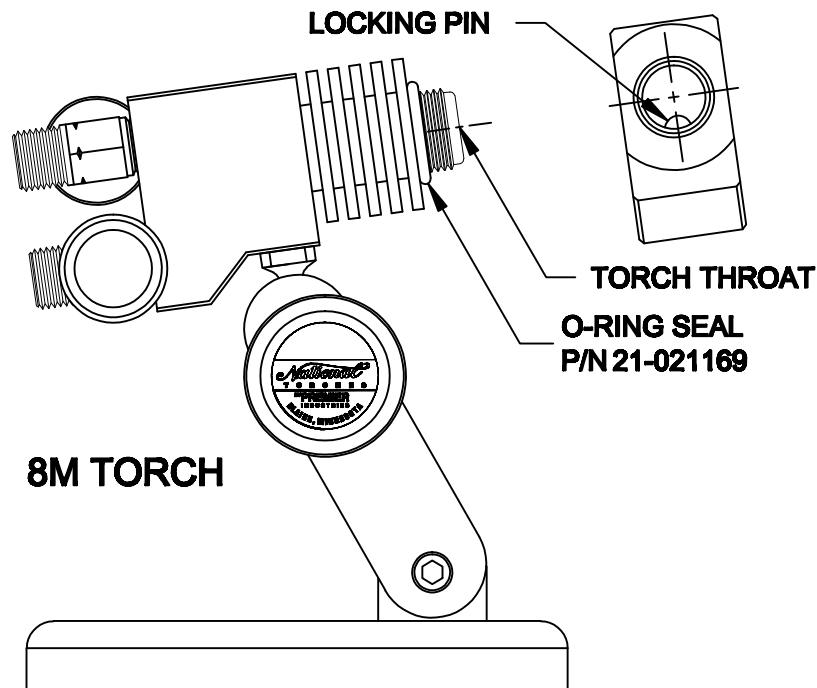


8M PRE-MIX/SURFACE MIX INSTRUCTIONS

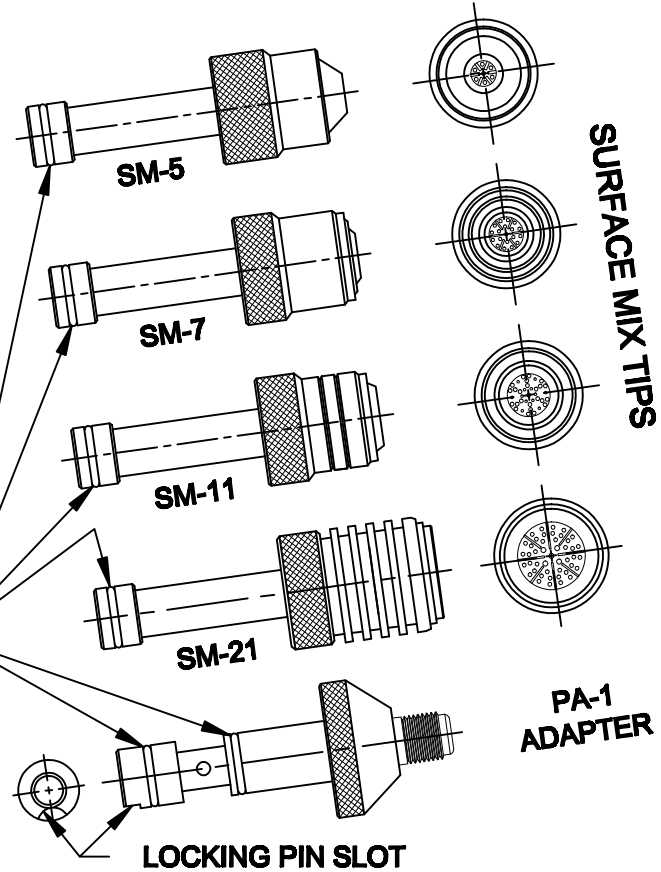
1. FOR PRE-MIX OPERATION, INSERT PA-1 ADAPTER INTO 8M TORCH THROAT, ALIGNING THE PA-1 LOCKING PIN SLOT WITH THE TORCH LOCKING PIN. TIGHTEN NUT. CORRECTLY INSTALLED, THE SHOULDER OF THE ADAPTER SHOULD SEAT NEAR FLUSH WITH THE TORCH FACE.

2. FOR SURFACE MIX OPERATION, REMOVE THE PA-1 ADAPTER AND SCREW ON SURFACE MIX TIP. NO SPECIAL ALIGNMENT IS REQUIRED.

3. WITH EACH USE, VISUALLY INSPECT THE VARIOUS O-RING SEALS (FKM). REPLACE AS NECESSARY.



O-RING SEAL
P/N 21-020137



National

T O R C H E S
BY PREMIER INDUSTRIES

3061 103RD LANE N.E.
SUITE 200

BLAINE, MN 55449

PH: 763-786-4020

FAX: 763-786-5424

E-MAIL: nt.sales@premierind.us

www.nationaltorch.com